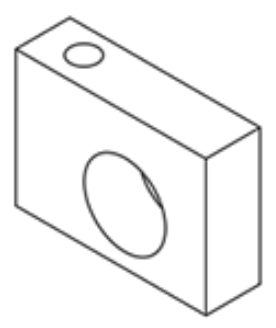
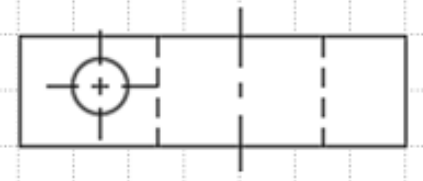
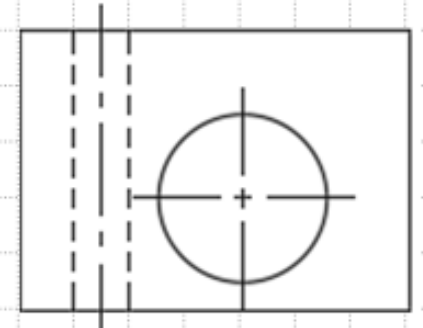



# Activity 1.2.4 Dimensioning Worksheet

Dimension the multiview drawings shown. Use fractional inches to the nearest 1/4 in.

Drawing 1

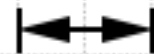
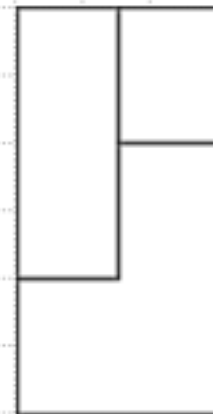
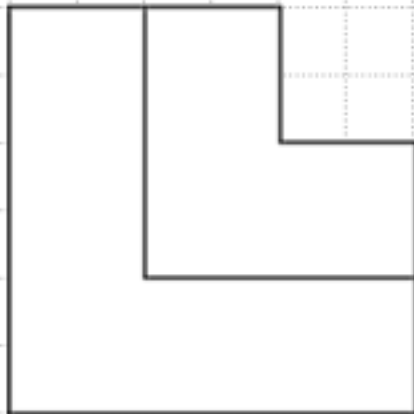
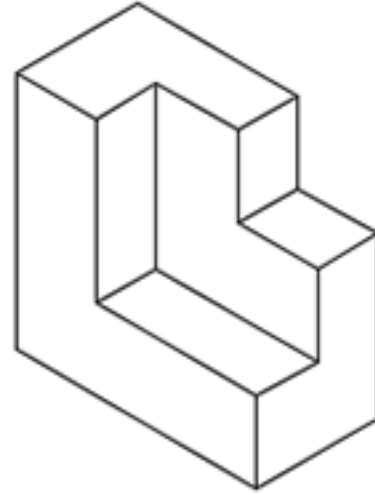






Scale: 1 inch

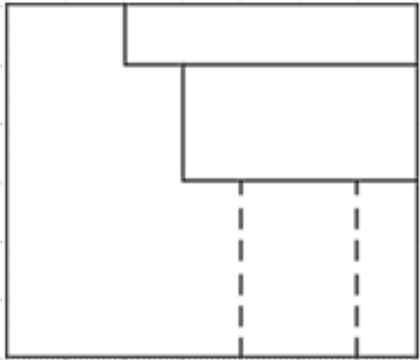
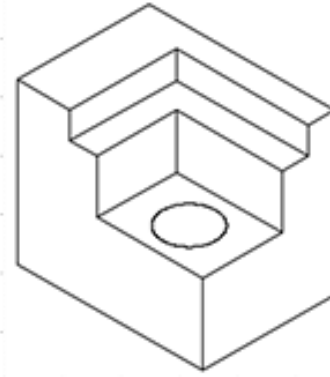
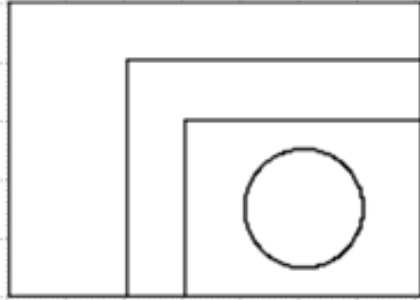
Page 1  
© 2020 Project Lead The Way, Inc.


# Drawing 2



Scale: 1 inch

# Drawing 3



  
Scale: 1 inch

